



LINKAGE STYLE THROTTLE STOP INSTALLATION & OPERATION MANUAL

INSTALLATION

1. Before mounting your new Dedenbear throttle stop, ensure that your current throttle linkage has a positive stop for the throttle pedal (preferably adjustable) and that you have a pull style throttle linkage. A linkage style throttle stop will not work with a push style linkage or without a pedal stop. On carbureted applications it is a good idea to drain the float bowls as you will be cycling the linkage back and forth numerous times.
2. Disconnect your throttle linkage and mount the ball stud into the upper hole of your carburetor or injector arm. Move the throttle arm from idle to wide open and measure the stroke. The maximum stroke for the TS10 is 2" and the TS20 is 2 1/2". If the maximum stroke is exceeded, move the ball stud closer to the throttle shaft. Clip the throttle stop onto the ball stud but do not install the gold adjustment bolt yet.
3. Connect the air line to the needle valve by taking 1/4" OD nylon tubing and pushing it into the needle valve fitting until it bottoms out. To disconnect the air line, push in on the needle valve's orange ring while pulling on the tubing. Connect the other end of the air line to your CO2 regulator.
4. Connect one of the solenoid wires to ground (it does not matter which one). Hook the other wire to the throttle stop output terminal on your timer. Use 18 gauge or larger wire.
5. Turn on the CO2 bottle and set the pressure for 80 to 100 psi. The stop should retract and go to its shortest position. Select the proper gold adjustment bolt. If your car uses a 1/4" diameter rod linkage, select the bolt with the 1/4-28 thread. If your car uses a Morse style cable, select the bolt with the 10-32 thread. Thread the jam nut onto the stop bolt and then thread the bolt into the back of the throttle stop until it just contacts the back of the piston inside the stop. Lock down the jam nut.
6. Have a friend step on the gas pedal to full throttle (against the pedal stop). Open the carb or injector linkage by hand to full throttle. Allowing 3/8" for thread engagement into the stop bolt, mark the throttle linkage rod for cutting or measure how far back the cable mounting point must be moved (depending on the type of linkage used). After cutting & rethreading the rod or moving back the cable mount, screw the linkage into the gold adjustment bolt and check for idle to full throttle movement via the pedal. Final adjustments can be made by screwing the rod/cable in or out of the adjustment bolt, or by adjusting the positive pedal stop.
7. Make sure the throttle stop is in the retracted position (shortest length) during all of the above steps. Turn on the power, hold the throttle at wide open and cycle the timer or transbrake to check for proper operation. Make sure the wires and air line are routed properly to allow full movement of the throttle without binding or jamming of the linkage.

IMPORTANT NOTE: DO NOT CUT THE GOLD ADJUSTMENT BOLTS

ADJUSTMENT

1. When CO2 is applied to the inlet of the throttle stop, the stop will retract to its shortest length thereby allowing the throttle to go to the full wide open position when the pedal is depressed. When power is applied to the solenoid, the stop extends to its longest length. The throttle return springs are responsible for pulling the stop to the extended position. The TS10 can be used with up to 35lbs of return spring and the TS20 can be used with up to 50lbs of spring.
2. The gold adjustment bolt will adjust the amount that the throttle closes when power is applied to the solenoid. As the adjustment bolt is turned in (clockwise) the stroke of the cylinder will be shortened, not allowing the throttle to close as far, in effect raising the RPM (throttle position) while activated. As the adjustment bolt is backed out (counter-clockwise) the stroke of the cylinder will be lengthened allowing the throttle to drop closed further, in effect lowering the RPM (throttle position) while the stop is activated. Changes made to the adjustment bolt will not effect the wide open throttle adjustment made above in step #6.
3. The correct and easiest way to make changes with this style throttle stop is not to turn the adjustment bolt, but to turn the throttle stop itself. This is accomplished by first disconnecting the air line and wires, loosening the jam nut on the adjustment bolt, popping the ball stud on the throttle arm loose, then turning the body of the throttle stop around the bolt. Using this method of adjustment will ensure you do not disturb the wide open throttle adjustment.

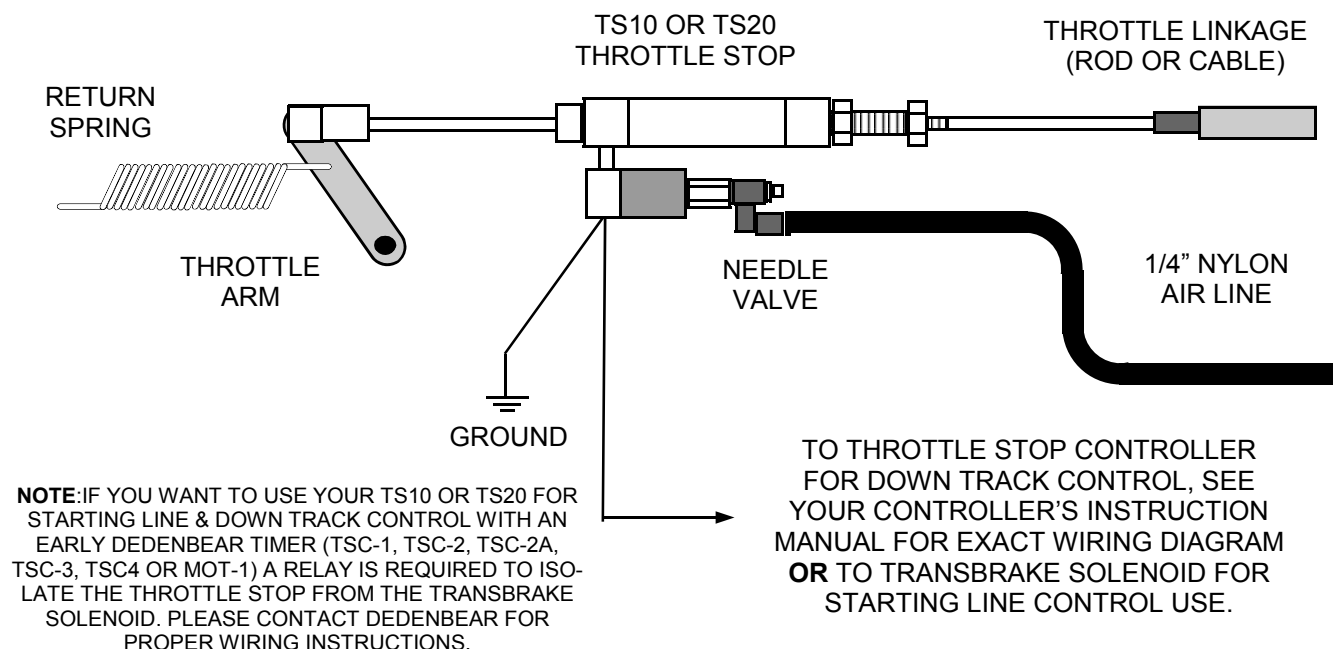
OPERATION TIPS

1. Since the carburetor throttle position is determined by shortening and expanding the throttle linkage, any deflection of the car or linkage will effect the closed position of the throttle, therefore effecting the E.T. of the car. For this type of stop to work properly, the chassis must be rigid, the linkage must be rigid, the cable attaching bracket must be rigid, and the throttle pedal stop must be absolutely solid. Any flexing or binding will ruin consistency.
2. It will take some experimentation to find the throttle position setting that will work best for your car, but a good starting point is 1000 to 1500 RPM less than the converter stall speed. Example: With a 5500 stall converter, the motor should run at 4000 to 4500 RPM while the stop is activated and the motor is under a load (during a pass or while the transbrake is set). For the most consistency the throttle stop should be cycled early in the pass, timer #1 should be set from 0.10 to 0.30 and timer #2 should be set at the shortest duration possible to obtain your desired E.T. If you exceed 3 seconds in timer #2 adjust the throttle stop to a lower RPM until your timer #2 setting drops into the 2 to 3 second range.
3. To control tire spin when the stop is opening, you may adjust the needle valve to slow the rate of opening. There is a total of 9 turns worth of adjustment. To start, turn the thumbscrew clockwise until it bottoms out, then counter-clockwise 4 turns. Lock it in place with the jam nut. To slow down the opening rate, turn the thumbscrew clockwise, to speed up the opening rate, counter-clockwise.

WIRING

There are 3 different ways to wire a linkage style throttle stop, they are as follows:

1. **Starting Line Control:** In this application the linkage stop closes on the starting line when the transbrake is applied. This is to control the staging RPM of the engine.
2. **Down Track E.T. Control:** In this application the linkage stop is used only during the pass to control the vehicle's elapsed time. Typically racers will close the throttle stop a fraction of a second into the pass and reopen the throttle a few seconds later to slow a car for a particular index.
3. **Both Starting Line & Down Track Control:** This last application allows a racer to use the linkage stop for controlling staging RPM and again during the pass to control the E.T.



LIMITED 1 YEAR WARRANTY

DEDENBEAR Products, Inc. warrants to the consumer that all DEDENBEAR Products purchased from an Authorized DEDENBEAR Reseller will be free from defects in material and workmanship for a period of twelve (12) months from date of the original purchase. Products that fail within this 12 month warranty period will be repaired or replaced at DEDENBEAR's option, when determined by DEDENBEAR that the product failed due to defects in material or workmanship. This warranty is limited to the repair or replacement of parts in the DEDENBEAR Product and the necessary labor done by DEDENBEAR to effect the repair or replacement of the DEDENBEAR product. In no event shall DEDENBEAR's cost to repair or replace a DEDENBEAR under this warranty exceed the original purchase price of the DEDENBEAR Product. Nor shall DEDENBEAR Products, Inc. be responsible for special, incidental or consequential damages or costs incurred due to the failure of a DEDENBEAR Product. This warranty applies only to the original purchaser of the DEDENBEAR Product and is non-transferable. This warranty also applies only to DEDENBEAR Products purchased from an Authorized DEDENBEAR Reseller. All implied warranties shall be limited in duration to the said 12 month warranty period. Breaking the instrument seal, improper use or installation, accident, water damage, abuse, unauthorized repairs or alterations voids this warranty. DEDENBEAR disclaims any liability for consequential damages due to the breach of any written or implied warranty on all products manufactured by DEDENBEAR Products, Inc.